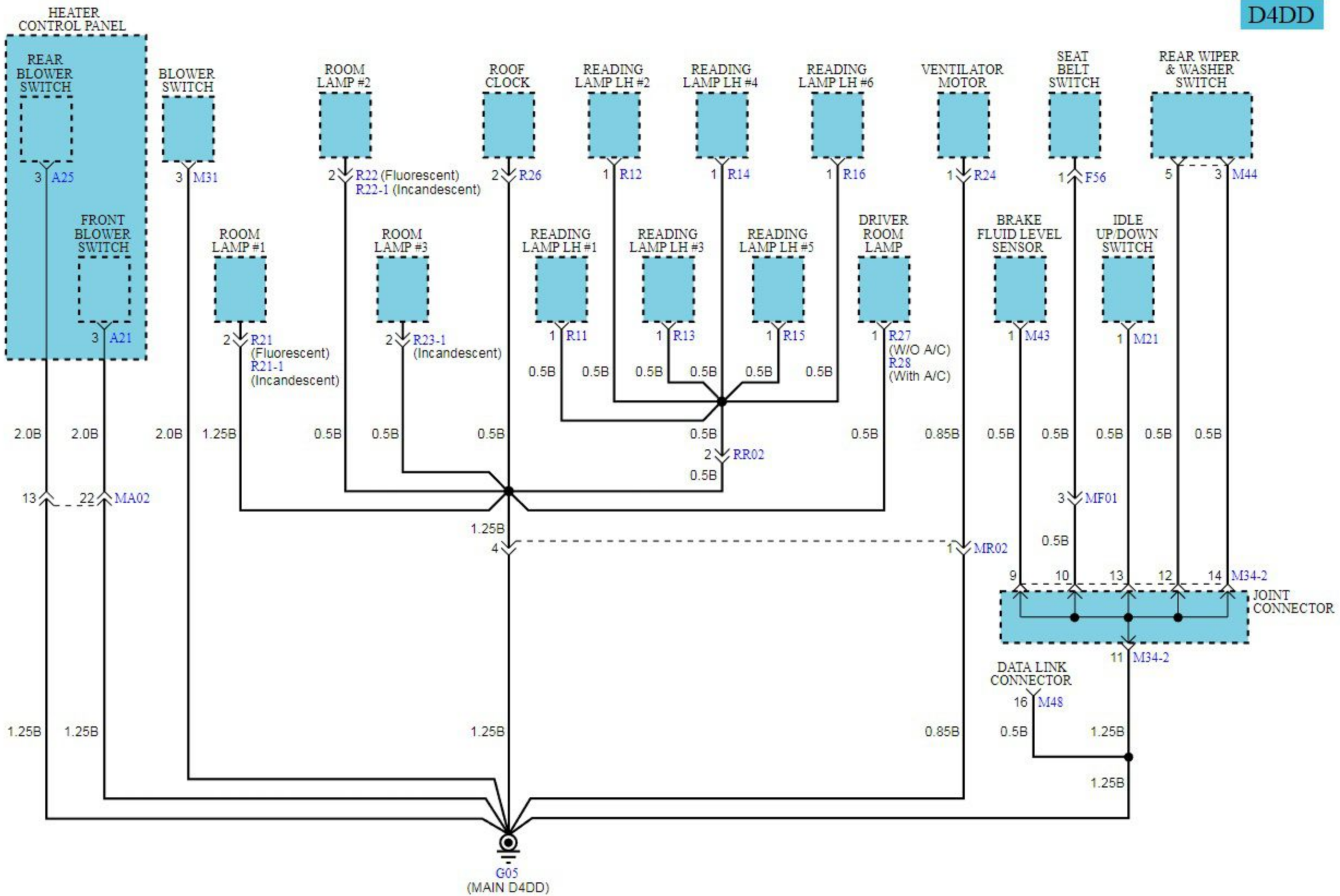


D4DD



**M22 JOINT
CONNECTOR**

675P.

**M51 JOINT
CONNECTOR**

**G01(D4AF/L)
G05(D4DD)**

**M25-1(D4AF/L)
ETACM(16P)
M25-3(D4DD)
ETACM(16P)**

MI01(14P)

**M27 JOINT
CONNECTOR**

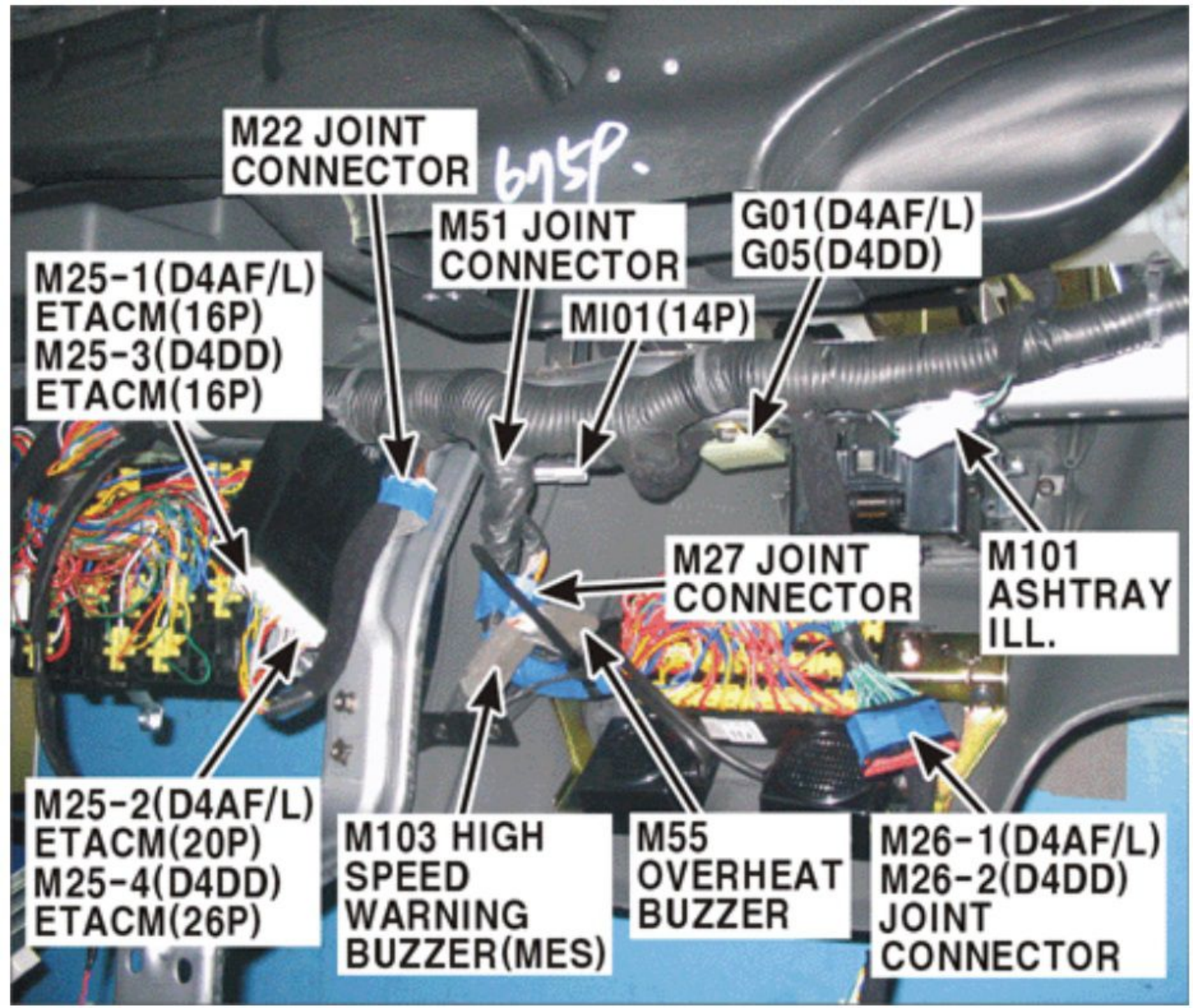
**M101
ASHTRAY
ILL.**

**M25-2(D4AF/L)
ETACM(20P)
M25-4(D4DD)
ETACM(26P)**

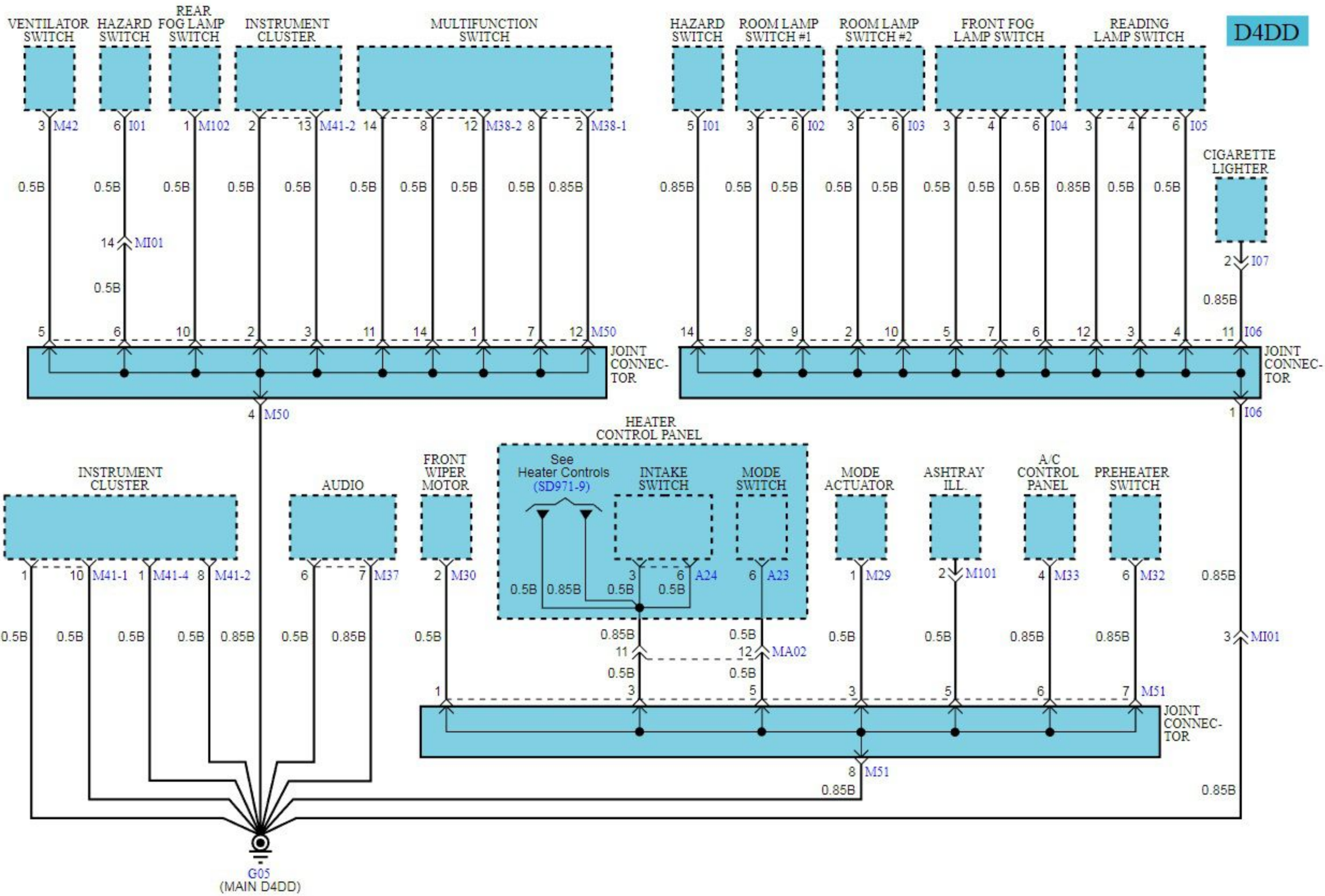
**M103 HIGH
SPEED
WARNING
BUZZER(MES)**

**M55
OVERHEAT
BUZZER**

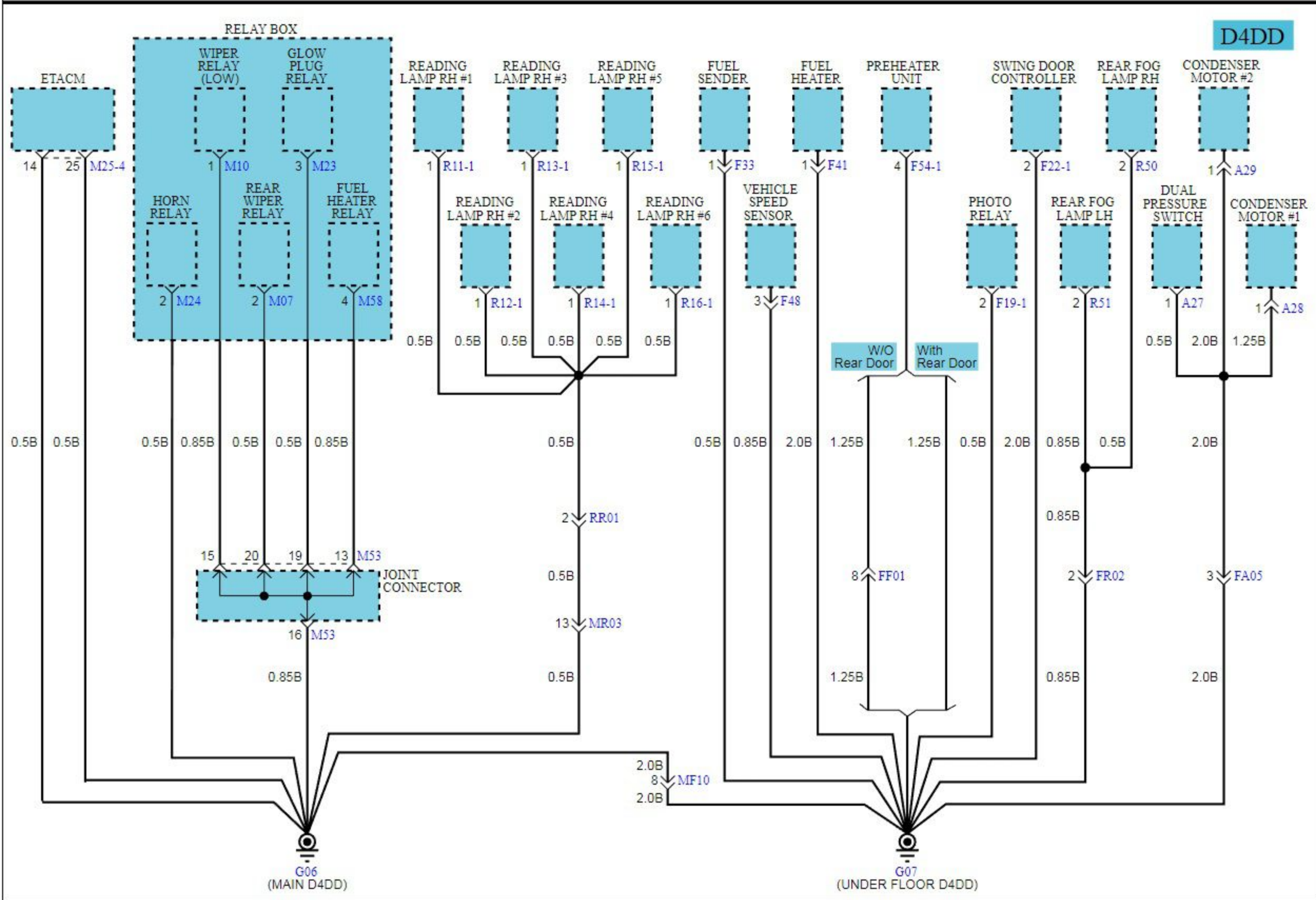
**M26-1(D4AF/L)
M26-2(D4DD)
JOINT
CONNECTOR**



D4DD

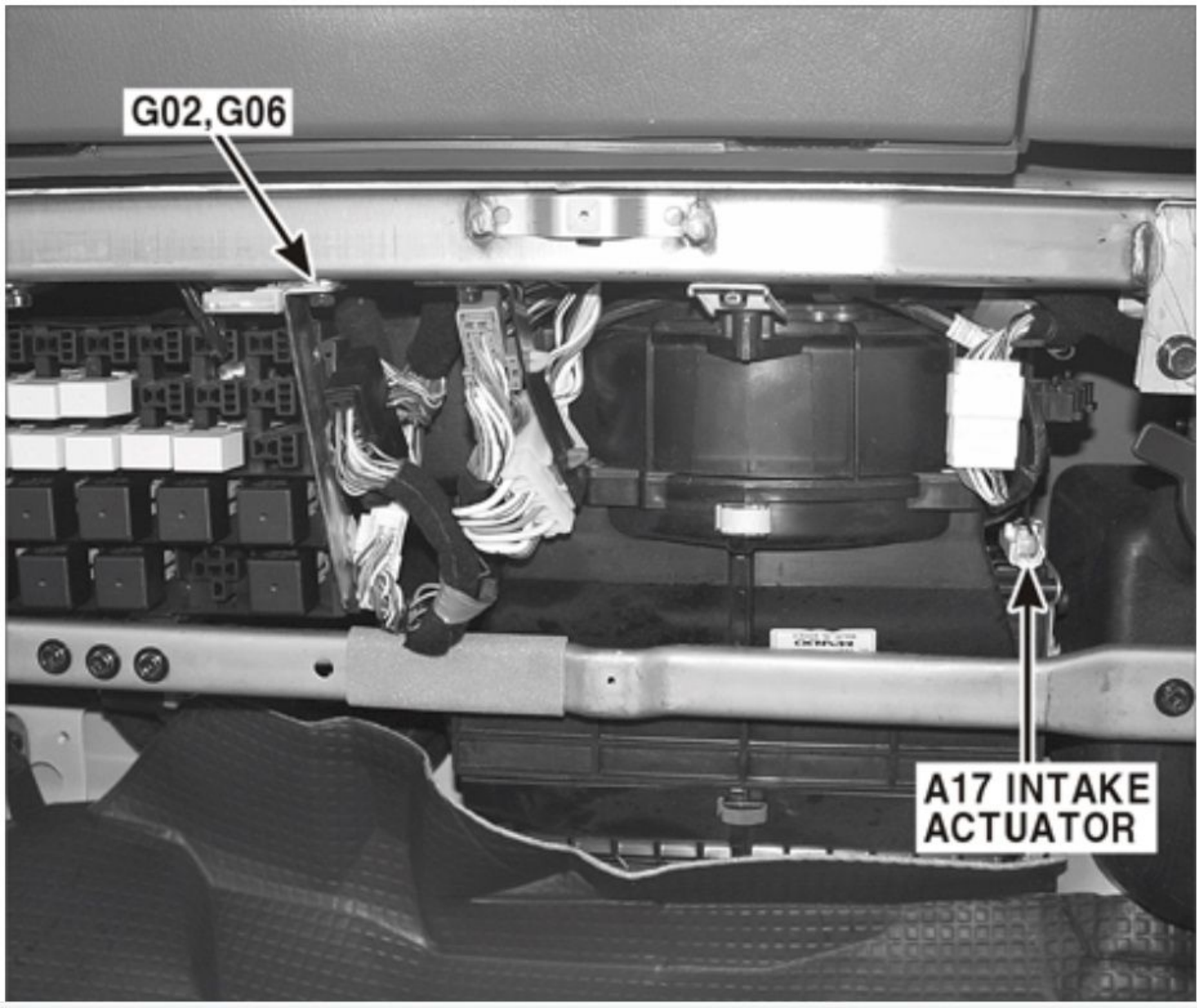


D4DD



G02, G06

A17 INTAKE
ACTUATOR



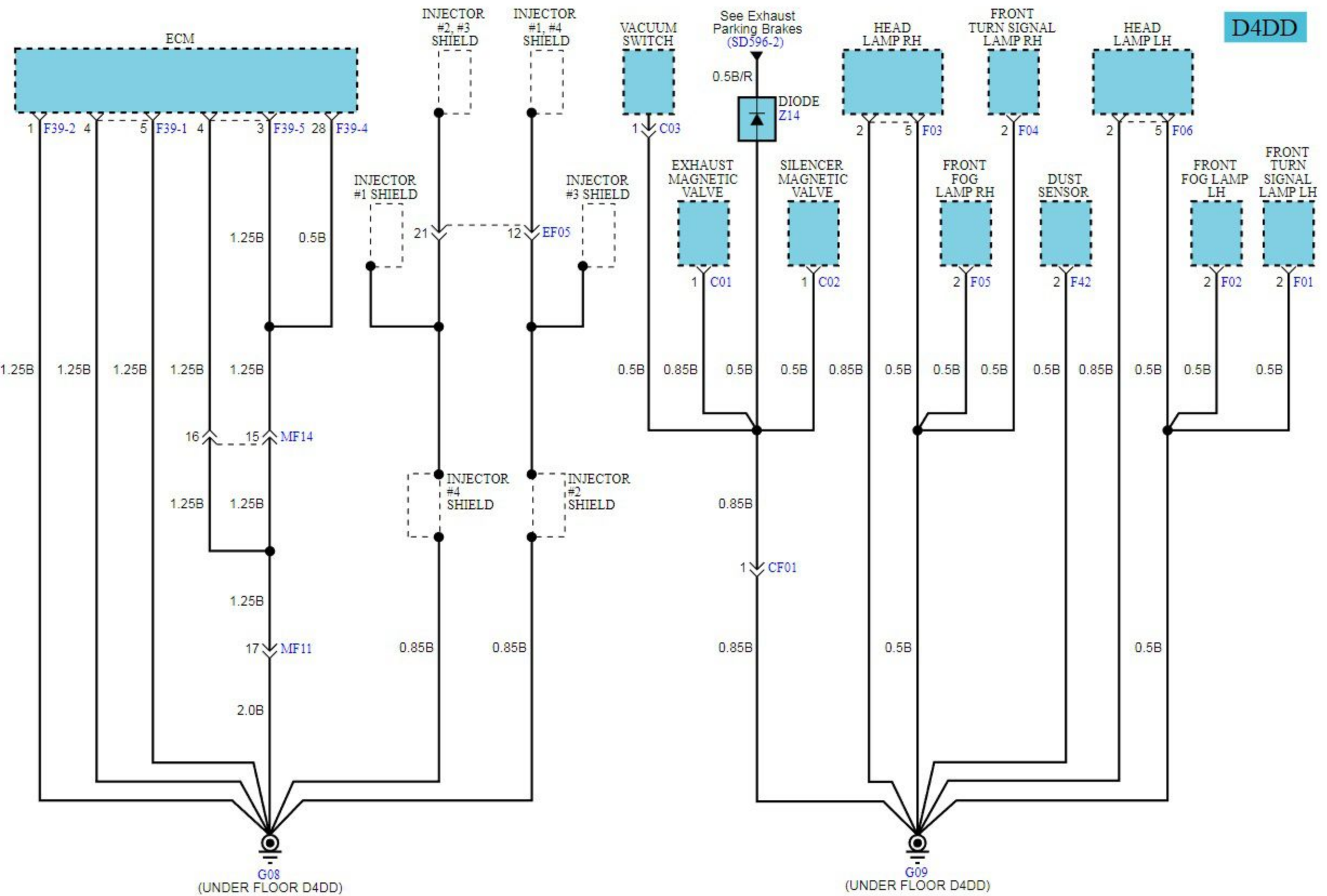
**G03(D4AF/L)
G07(D4DD)**

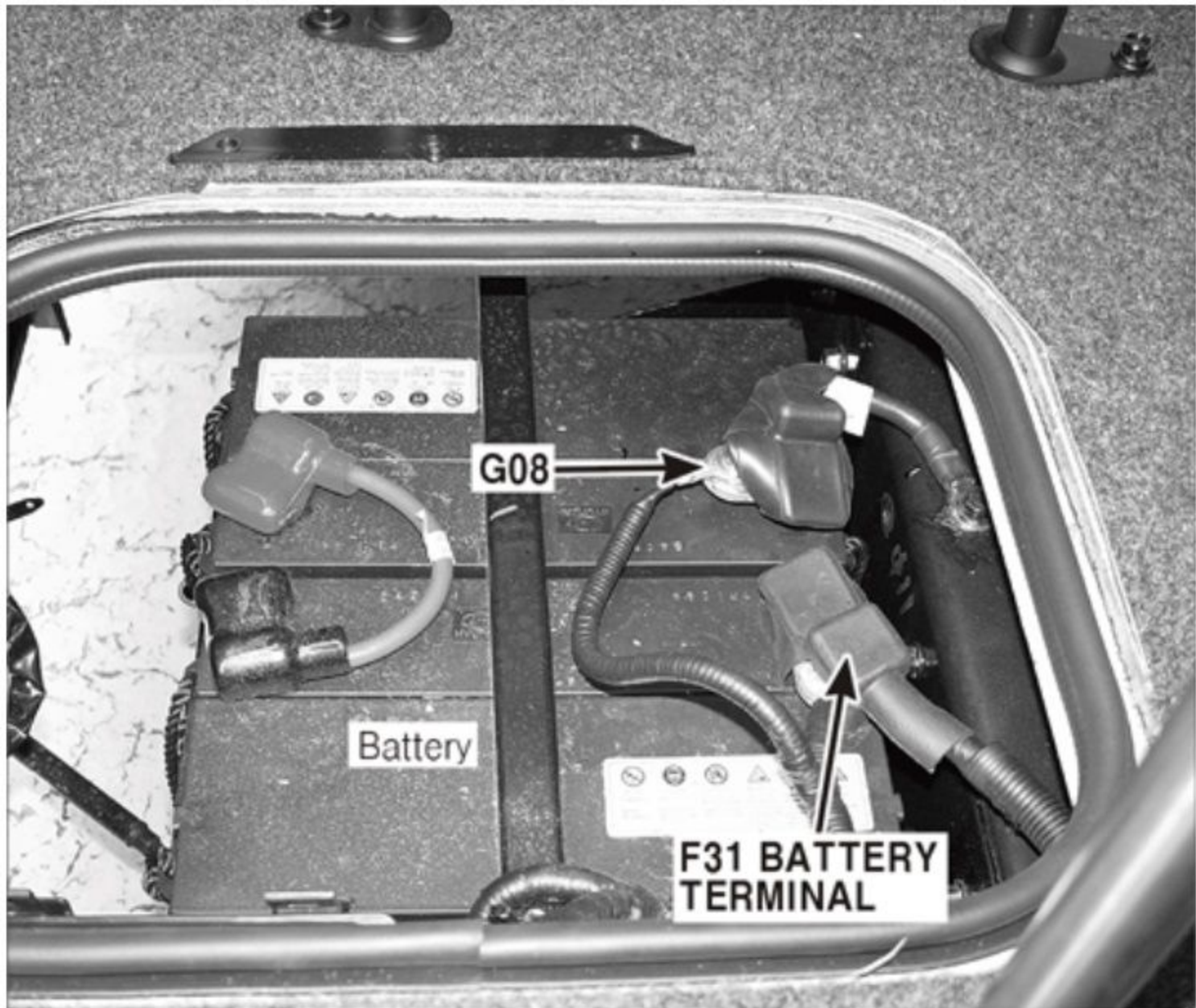
**F27-1(2P) ABS
HYDRAULIC MODULE**

**F27-2(8P) ABS
HYDRAULIC MODULE**

Fuel tank

D4DD

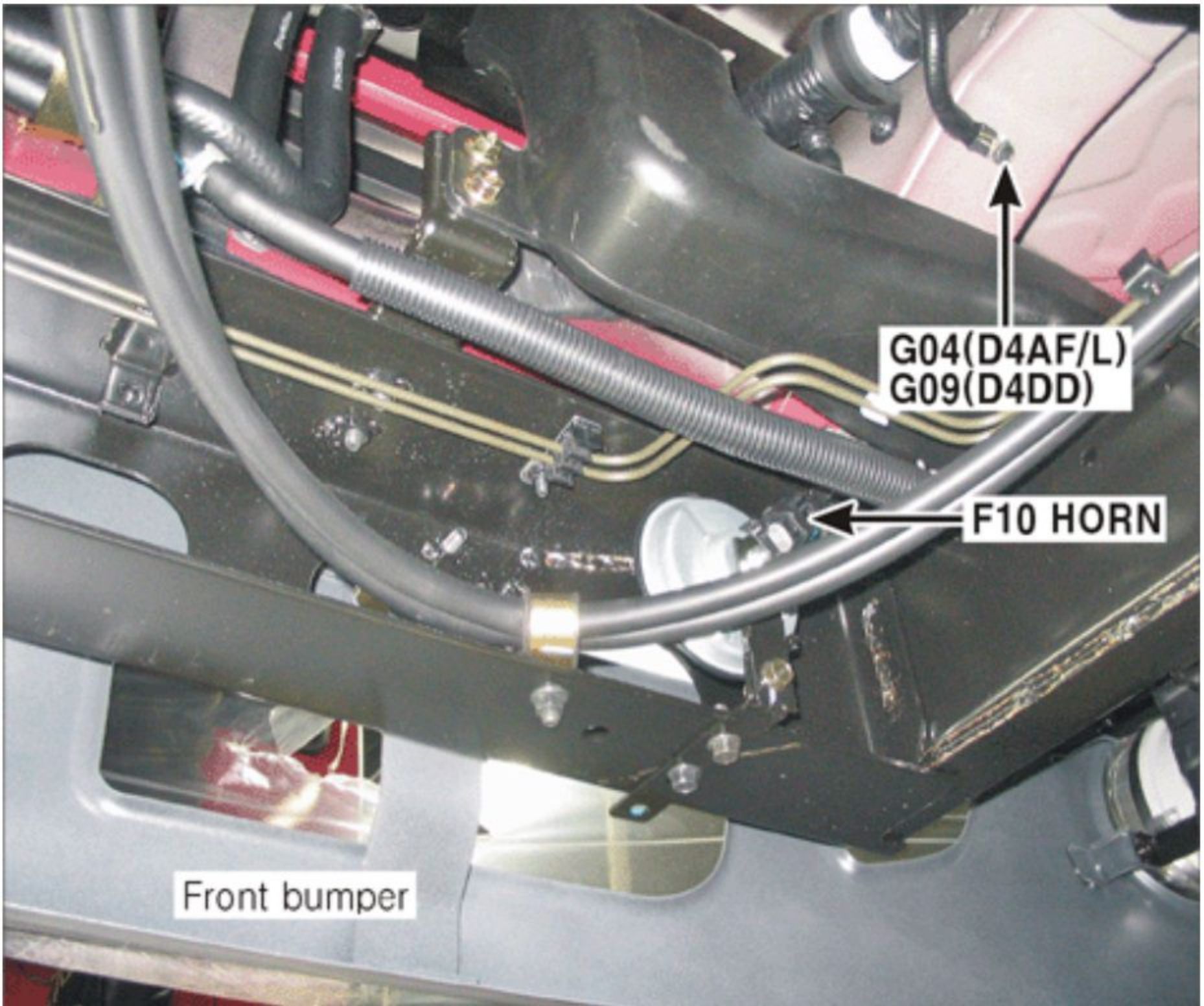




G08

Battery

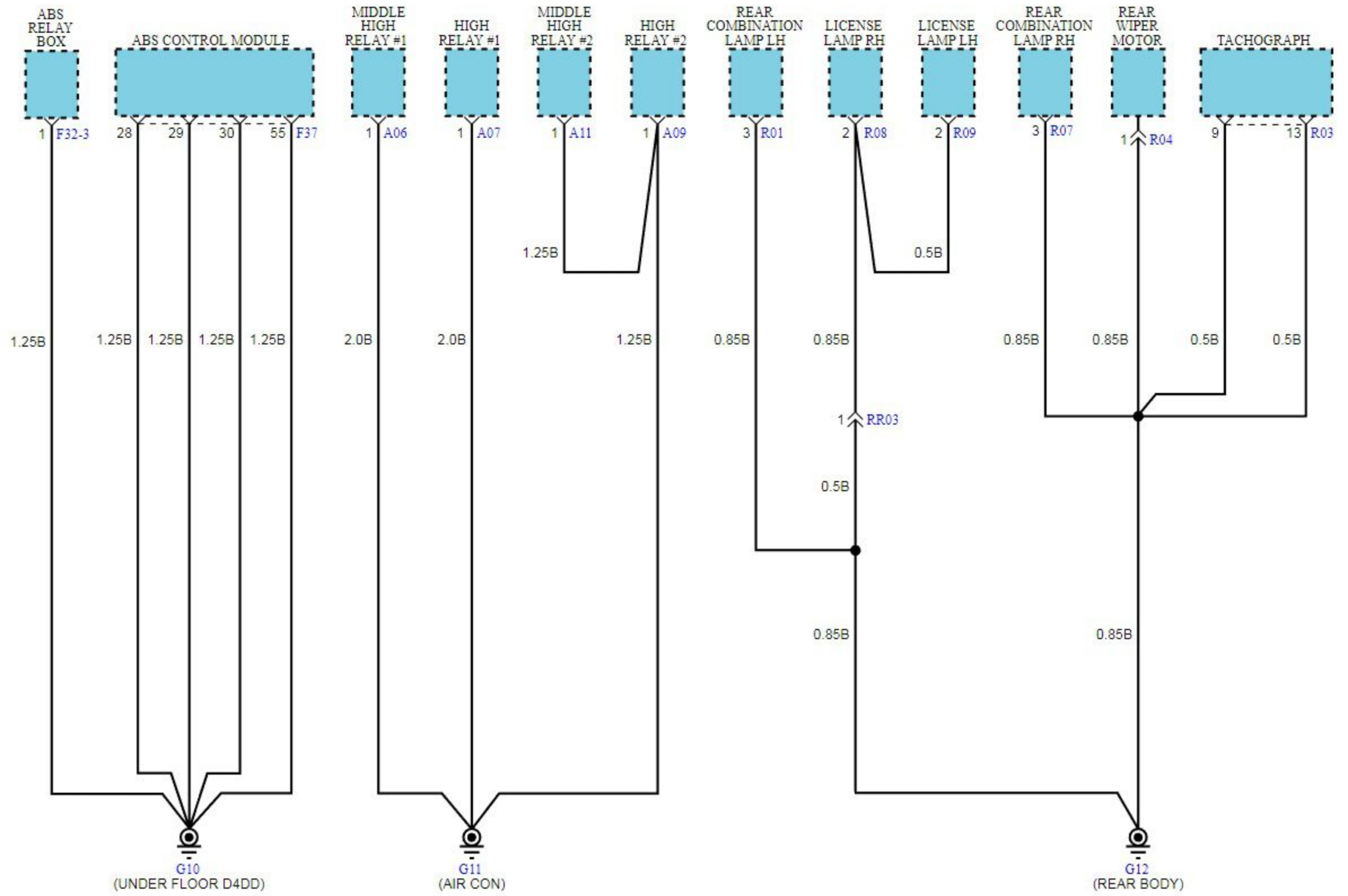
F31 BATTERY
TERMINAL



G04(D4AF/L)
G09(D4DD)

F10 HORN

Front bumper



G10(D4DD)



G03(D4AF/L)
G07(D4DD)



**A08
CONDENSER
RELAY**

**A16 SUB
CONDENSER
RELAY**

**A07 HIGH
RELAY#1**

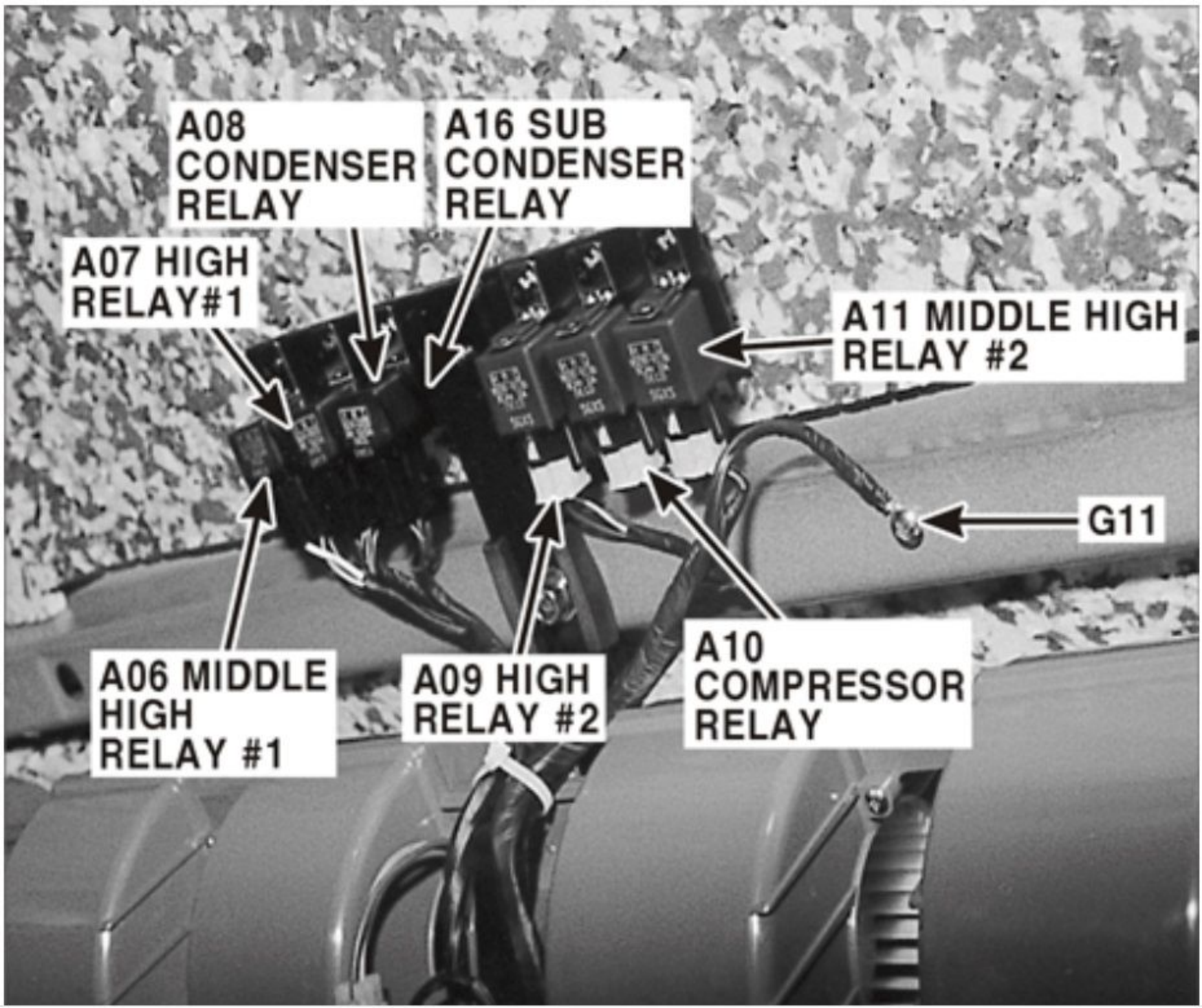
**A11 MIDDLE HIGH
RELAY #2**

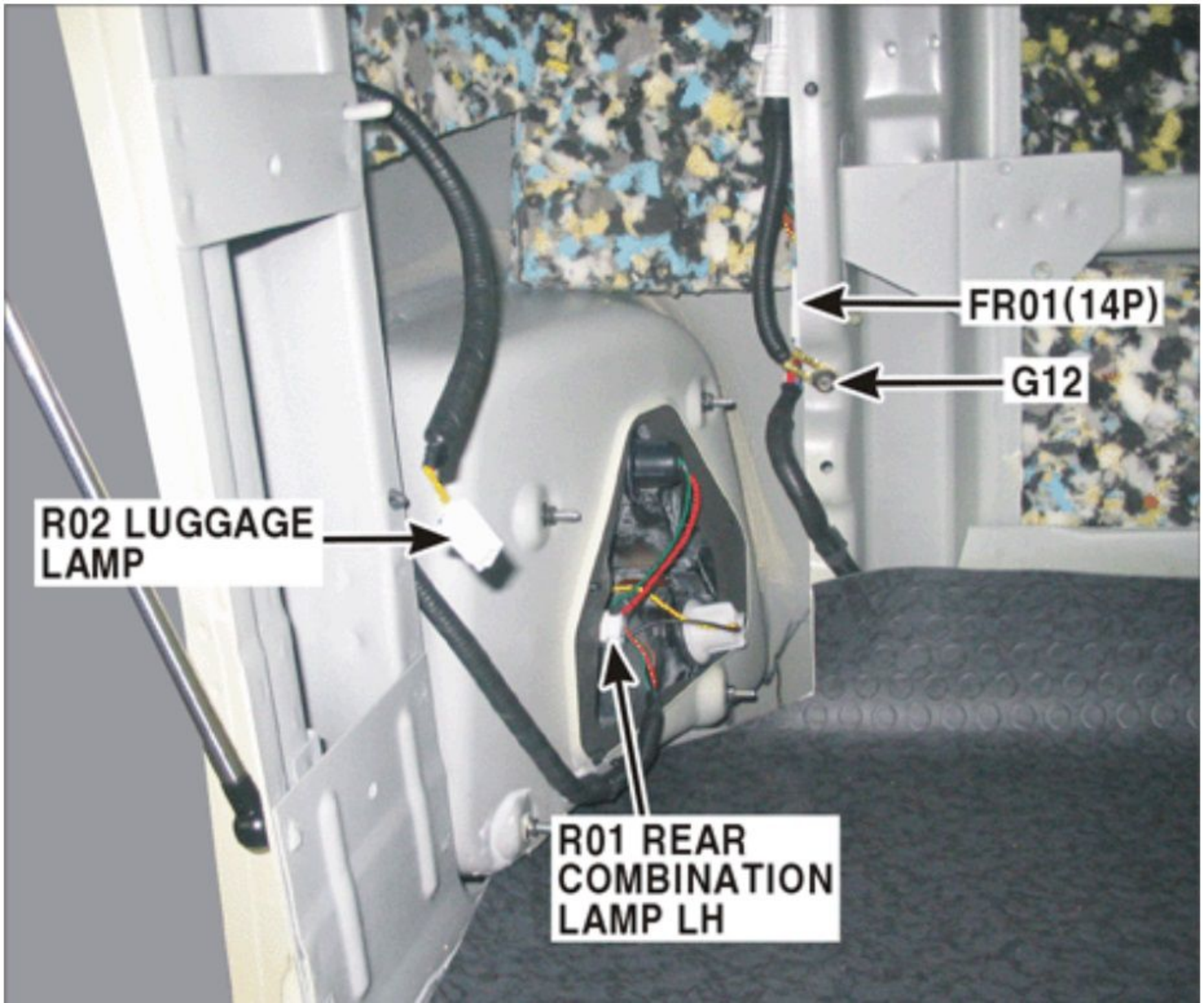
G11

**A06 MIDDLE
HIGH
RELAY #1**

**A09 HIGH
RELAY #2**

**A10
COMPRESSOR
RELAY**





**R02 LUGGAGE
LAMP**

FR01(14P)

G12

**R01 REAR
COMBINATION
LAMP LH**